

MTPReel™

SIEMENS

sumcab
ROBOTICS

The automatic cable retraction system
for improved workplace safety



Time saving

Time is an essential success factor within the industrial sector and the MTPReel helps to save time due to its intuitive operation. The rapid but careful rewinding of the connector cable saves time, which your employees can dedicate to other things.



Operating error avoidance

Using the MTPReel will ensure that the operating device is assigned unambiguously to the operator. Lengthy searches for the correct plug-in piece and potential operating errors due to incorrect combinations are avoided.



Plant safety optimisation

Properly storing the connector cable in the MTPReel protects it from dirt and accidental damage, which significantly increases its service life and improves safety within the operational facility.



Patented and tested system – made in Italy

Our partner company in Italy manufactures the MTPReel to the highest quality standards.



Safety First

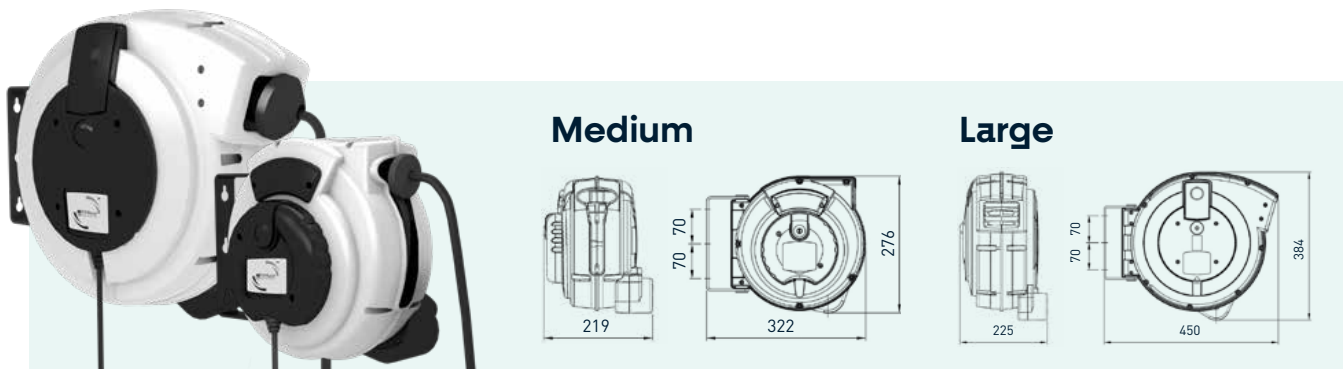
Hazardous situations, such as trip hazards or cable damage, are now a thing of the past.



Technical specifications

Robot control	Box size	Extension length	Cabinet connection	Dimensions (mm)	Weight (kg)
170 DP ProfiBUS, 177 DP ProfiBUS	Medium	10 m / 15 m	2,5 m	322x219x276	6kg
177 PN ProfiNET 277 DP ProfiBUS 277 PN ProfiNET HT2 PN ProfiNET HT6 DP ProfiBUS HT8 PN ProfiNET HT10 PN ProfiNET	Medium Large	10 m / 15 m 20 m	2,5 m	322x219x276 450x225x384	6kg 9kg
KTP 700 / 900 / 1000	Medium Large	10 m / 15m 20 m	2,5m	322x219x276 450x225x384	6kg 9kg

Additional housing sizes, cable lengths, and control generations available upon request.
Maximum length for full data transfer warranty is 27.5 meters and/or 2 connector points.



⊕ Extras

- Housing made of shock-resistant material
- Stable, rotatable mounting bracket
- Integrated brake module for a careful cable retraction
- Spring loaded cable retraction system
- Detachable automatic cable release and retraction brake every 50 cm
- Rotating contact transmission system for secure data transmission

⊕ Accessories

Installation element

- Profile tube stands (rigid or rotatable)
- Control cabinet fixing plates, aluminium profiles or fence elements

Connection and extension cables

- 10 m and 20 m connection cables available for all MTPReels
- 10 m, 15 m and 20 m extension cables available for all MTPReels



Follow us

